



Micro Communications, Inc.

Microwave A MICROWAVE TECHNIQUES COMPANY

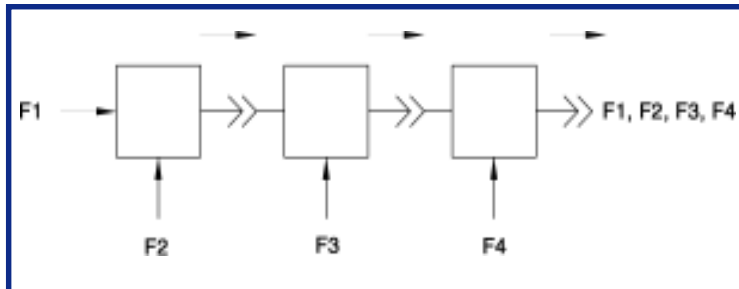
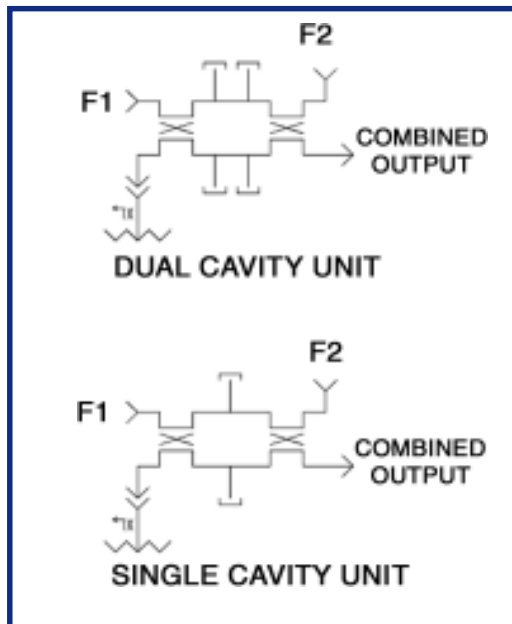
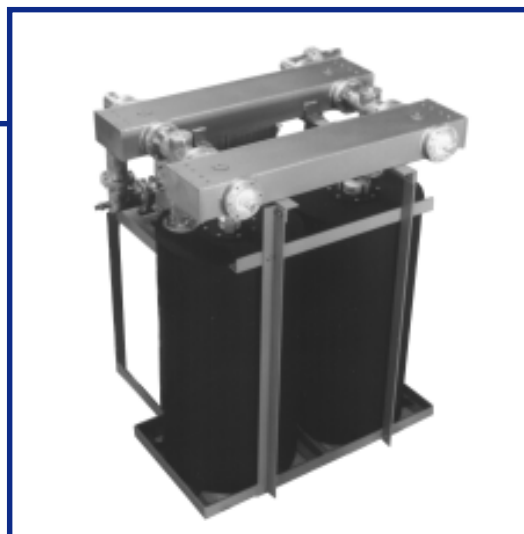
# FM MULTIPLEXERS

- Constant Impedance Design
- Field Tunable
- Low Loss
- Cost Effective Design

The MCI Multiplexer is used where it is necessary to combine two or more FM channels to a single master antenna input. New frequencies at any power level can be added in any order by connecting another multiplexer in tandem to the previous unit.

Each unit contains a through or broad-band port and an injected frequency port. The broadband port has a VSWR less than 1.08:1 over the full FM band. The cavities are easily tunable to the injected frequency.

The power handling capabilities are limited by the line size and not the cavity. Single cavity units are available for channel separation of 1.6 MHz. Dual cavities would be used for frequency separations of 0.8 MHz. Injected frequency power up to 20kW can be used.





Micro Communications, Inc.

Microwave A MICROWAVE TECHNIQUES COMPANY

<b>SPECIFICATIONS</b>	
<b><u>VSWR</u></b>	
Through Port	1.08 88-108 MHz
Injected Port	1.08 F <sub>0</sub> ±100 KHz
<b><u>Insertion Loss</u></b>	
Through Frequency	0.1 dB
Injected Frequency	0.4 dB
<b><u>Isolation</u></b>	
Through to Injection	50 dB
Injected to Through	35 dB

Single Cavity Per Side Frequency Separation 1.6 MHz or More	FM	FM
MODEL	45304	45303
THROUGH POWER	20kW	10kW
INJECTED POWER	20kW	5kW
SIZE in	36x51x52	36x36x50
(mm)	(914x1295x1320)	(914x914x1270)
WEIGHT lbs	250	120
(kg)	(113)	(54)
CONNECTORS EIA	3 1/8	1 5/8
Dual Cavities Per Side Frequency Separation 0.8 MHz or more	FM	FM
MODEL	45404	45403
THROUGH POWER	20kW	10kW
INJECTED POWER	20kW	5kW
SIZE in	72x51x52	72x36x50
(mm)	(1829x1295x1320)	(1829x914x1270)
WEIGHT lbs	350	220
(kg)	(159)	(100)
CONNECTORS EIA	3 1/8	1 5/8

All specifications are subject to change without notice.



Micro Communications, Inc.

Microwave A MICROWAVE TECHNIQUES COMPANY

Microwave Techniques, LLC | 28 Sanford Drive, Gorham, ME 04038

Email: [sales@microwavetechniques.com](mailto:sales@microwavetechniques.com) | Phone: 1-207-854-1700